

* NOTE: CONCRETE COLLAR MAY BE PLACED FLUSH TO FINISHED SURFACE WITH MEDIUM BROOM FINISH PERPENDICULAR TO VEHICLE TRAVEL DIRECTION.

Richard D. Plecker
 RICHARD PLECKER
 ENVIRONMENTAL UTILITIES DIRECTOR

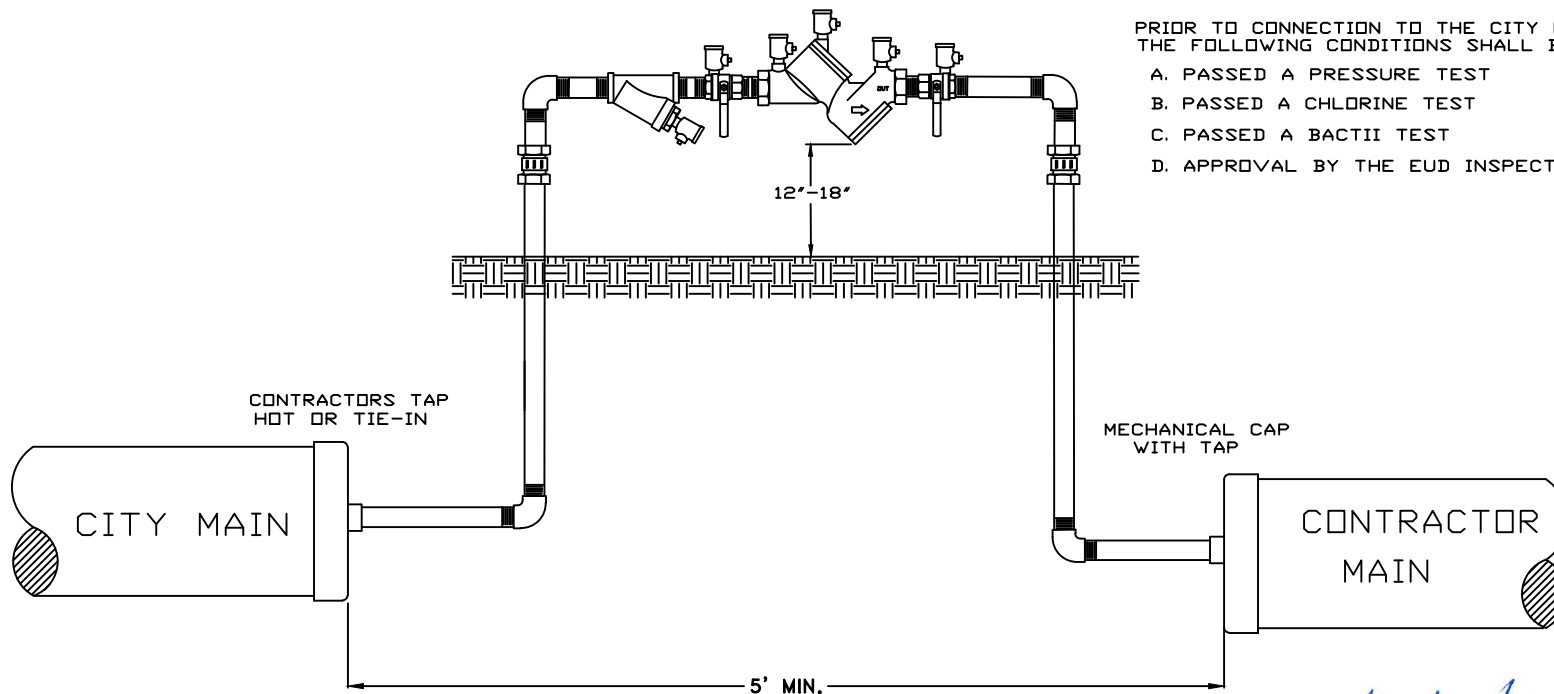
CITY OF ROSEVILLE CALIFORNIA
 ENVIRONMENTAL UTILITIES DEPARTMENT

RECYCLED WATER INLINE 2" BLOWOFF ASSEMBLY (ALL BRASS)

SCALE: NONE
 REVISED: JANUARY 2018
 DRAWN BY: R. VAN NESS
 APPROVED BY: RICHARD PLECKER

RW-2

NOTES:
 ALL PIPING INCLUDING BRASS TO BE 8 MIL POLY SEALED. WRAP BRASS WITH RECYCLED WATER ID TAPE. TAPE TO BE PLACED OUTSIDE OF POLY SEAL.
 INSTALL RECYCLED WATER TAG TO VALVE OPERATOR STEM.
 POUR (1) FOOT DEEP BY 6' WIDE CONCRETE COLLAR AROUND UTILITY BOX IF OUTSIDE PAVEMENT AREA.
 BLOWOFFS OUTSIDE OF PAVED AREAS SHALL BE A MINIMUM OF 6' ABOVE GRADE AND MARKED WITH A CARSONITE MARKER.



PRIOR TO CONNECTION TO THE CITY MAIN,
THE FOLLOWING CONDITIONS SHALL BE MET:

- A. PASSED A PRESSURE TEST
- B. PASSED A CHLORINE TEST
- C. PASSED A BACTII TEST
- D. APPROVAL BY THE EUD INSPECTOR

Richard D. Plecker

RICHARD PLECKER
ENVIRONMENTAL UTILITIES DIRECTOR

NOTES:

WATER SHALL ONLY BE DRAWN INTO THE CONTRACTORS MAIN THROUGH A CITY APPROVED RP TYPE BACKFLOW DEVICE WHICH HAS BEEN TESTED BY THE ENVIRONMENTAL UTILITIES DEPARTMENT.

FINAL SYSTEM COMPONENTS NECESSARY FOR TIE-IN SHALL BE PRE-CHLORINATED AND PRE-FLUSHED IN THE PRESENCE OF AN ENVIRONMENTAL UTILITIES DEPARTMENT INSPECTOR.

UPON COMPLETION OF THE CONDITIONS NOTED ABOVE AND WITH THE APPROVAL OF THE EUD INSPECTOR, CONNECTION TO THE CITY SYSTEM MAY BE MADE. THE EUD INSPECTOR SHALL BE NOTIFIED 48 HOURS PRIOR TO THE START OF WORK.



ENVIRONMENTAL UTILITIES
DEPARTMENT

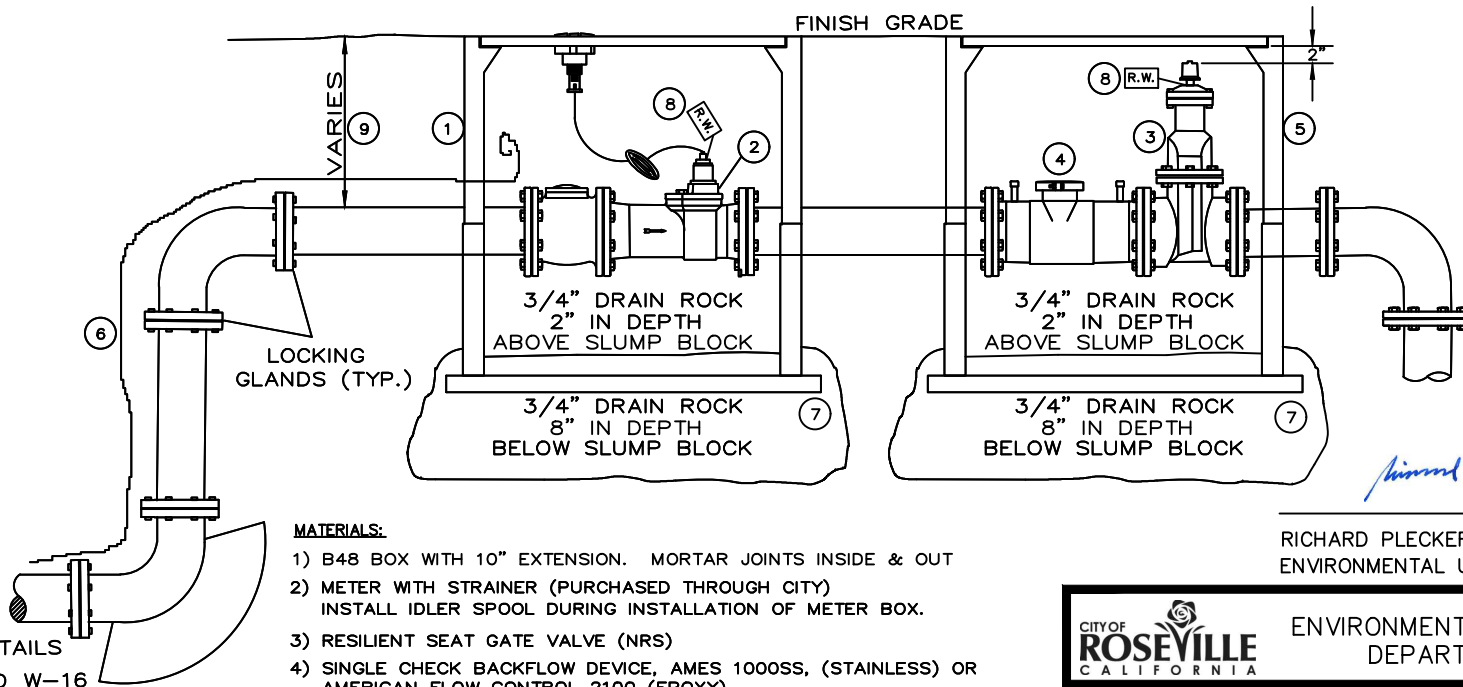
RECYCLED WATER
CONSTRUCTION WATER

SCALE: NONE
REVISED: JANUARY 2016
DRAWN BY: R. VAN NESS
APPROVED BY: RICHARD PLECKER

RW-3

NOTES:

- NO WATER IS TO BE DRAWN THROUGH THE BACKFLOW DEVICE UNTIL IT HAS BEEN TESTED BY THE ENVIRONMENTAL UTILITIES DEPT.
- PIPE SHALL BE DUCTILE IRON.
- SPOOLS UPSTREAM & DOWNSTREAM OF METER SHALL BE 5X THE PIPE DIAMETER
- PIPE AND FITTINGS SHALL BE WRAPPED 8 MIL POLYETHYLENE
- USE CITY APPROVED RESTRAINED JOINTS OR FLANGED SPOOLS
- WATER METER SHALL BE PURCHASED THROUGH THE CITY. PURCHASE INCLUDES INSTALLATION.
- BOXES SHALL HAVE METAL LIDS MARKED "RECYCLED WATER" WITH 2" LETTERS, PAINTED PURPLE.



Richard D. Plecker

RICHARD PLECKER
ENVIRONMENTAL UTILITIES DIRECTOR

MATERIALS:

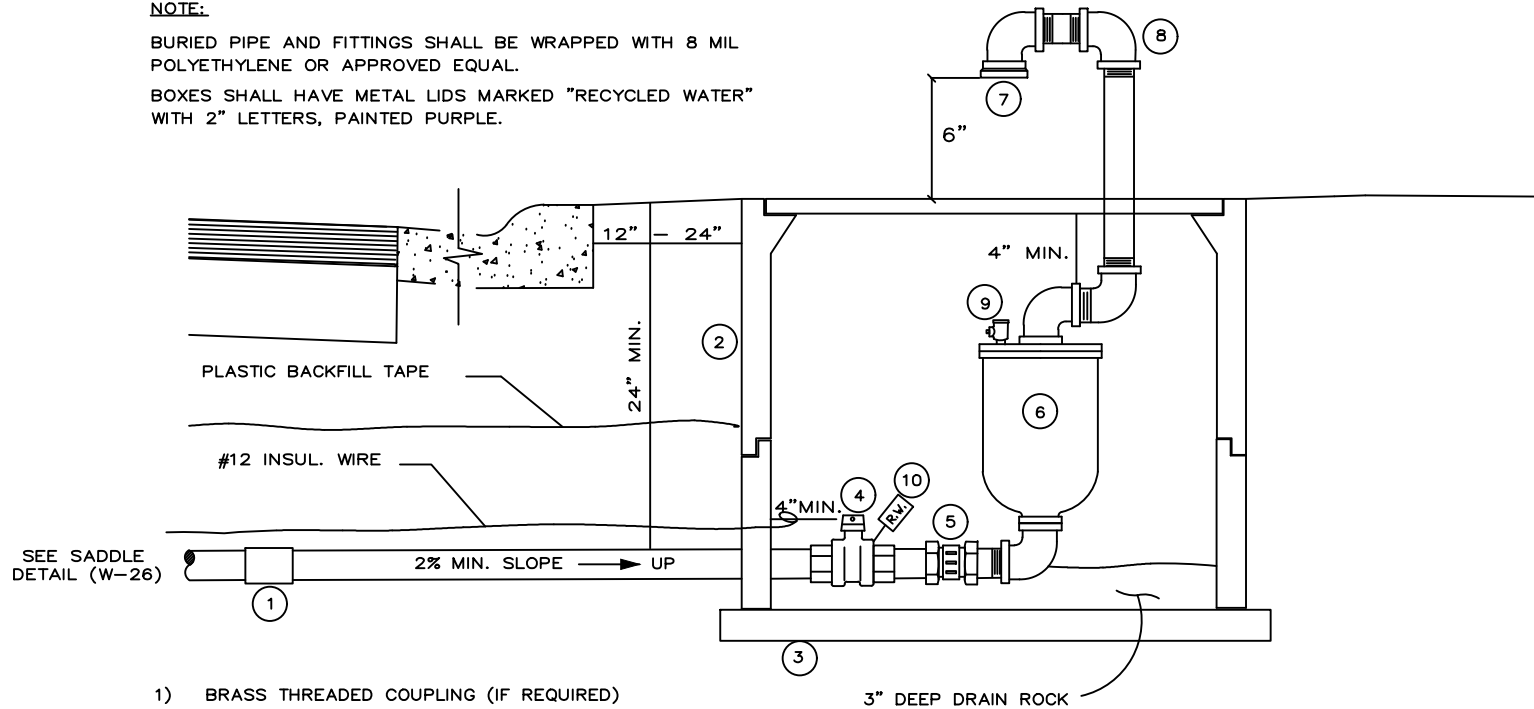
- 1) B48 BOX WITH 10" EXTENSION. MORTAR JOINTS INSIDE & OUT
- 2) METER WITH STRAINER (PURCHASED THROUGH CITY)
INSTALL IDLER SPOOL DURING INSTALLATION OF METER BOX.
- 3) RESILIENT SEAT GATE VALVE (NRS)
- 4) SINGLE CHECK BACKFLOW DEVICE, AMES 1000SS, (STAINLESS) OR AMERICAN FLOW CONTROL 2100 (EPOXY)
- 5) B48 BOX WITH 10" EXTENSION. MORTAR JOINTS INSIDE & OUT
- 6) CITY APPROVED TRACING WIRE
- 7) INSTALL CONCRETE BRICK (3" X 5") UNDER ENTIRE PERIMETER OF BOXES
- 8) RECYCLED WATER ID TAG
- 9) 3"-6" PIPE SHALL BE 16" MIN. TO 20" MAX.
8" OR 10" PIPE SHALL BE 22" MIN. TO 26" MAX.

	ENVIRONMENTAL UTILITIES DEPARTMENT
RECYCLED WATER 3" & LARGER SERVICE	
SCALE: NONE REVISED: JANUARY 2017 DRAWN BY: R. VAN NESS APPROVED BY: RICHARD PLECKER	
RW-4	

SEE DETAILS
W-15 AND W-16

NOTE:

BURIED PIPE AND FITTINGS SHALL BE WRAPPED WITH 8 MIL POLYETHYLENE OR APPROVED EQUAL.
 BOXES SHALL HAVE METAL LIDS MARKED "RECYCLED WATER" WITH 2" LETTERS, PAINTED PURPLE.



- 1) BRASS THREADED COUPLING (IF REQUIRED)
- 2) B-40 UTILITY BOX W/TRAFFIC COVER MARKED, "RECYCLED WATER ARV". IF EXTENSION IS REQ. MORTAR EXTENSION JOINT INSIDE & OUT.
- 3) CONCRETE BRICK (3"X5") UNDER ENTIRE PERIMETER OF UTILITY BOX.
- 4) CURB STOP
- 5) BRASS UNION
- 6) COMBINATION AIR / VACUUM VALVE CRISPIN UL-20, APCO 145C OR APPROVED EQUAL.
- 7) BRASS CAP WITH 9 DRILLED 1/16" HOLES OR APPROVED EQUAL.
- 8) USE GALVANIZED PIPE AND FITTINGS ABOVE GROUND
- 9) 1/4" TEST COCK
- 10) RECYCLED WATER I.D. TAG

Richard D. Plecker

RICHARD PLECKER
 ENVIRONMENTAL UTILITIES DIRECTOR



ENVIRONMENTAL UTILITIES
 DEPARTMENT

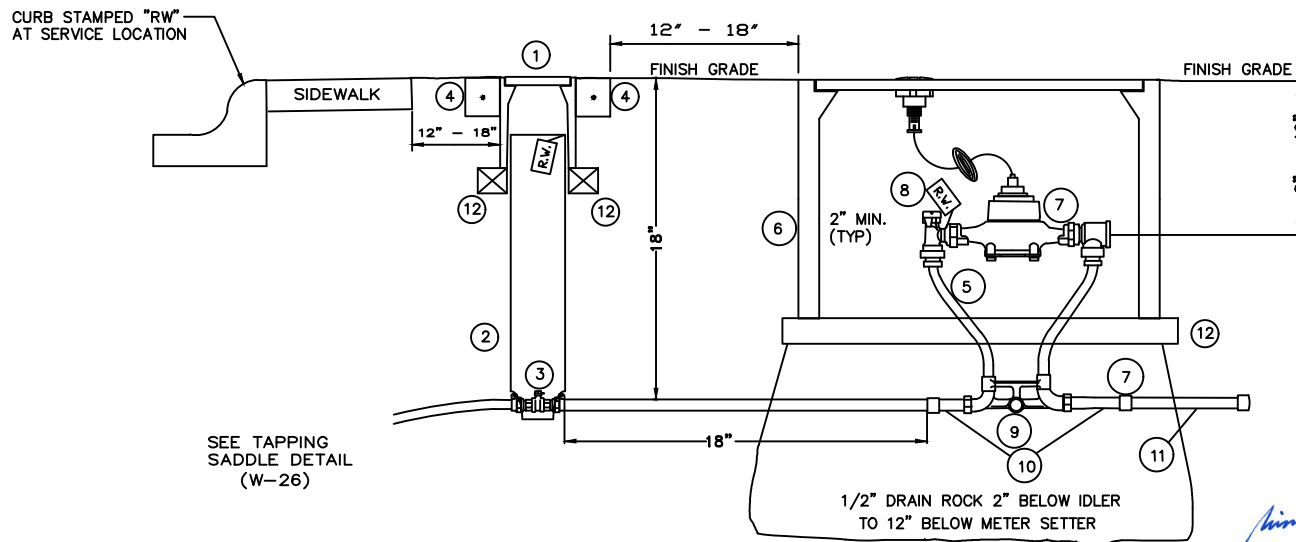
**1" AND 2" AIR RELEASE
 VALVE ASSEMBLY**

SCALE: NONE
 REVISED: JANUARY 2017
 DRAWN BY: R. VAN NESS
 APPROVED BY: RICHARD PLECKER

RW-5

- 1) CONCRETE VALVE BOX (G-5 PER DETAIL W-16)
BOX LID SHALL BE MARKED "RECYCLED WATER"
- 2) 6" CONTINUOUS RISER (NOTCHED OVER
PIPE AT BASE)
- 3) CURB STOP (COMPRESSION X FIPT)
- 4) CONCRETE COLLAR (SEE DETAIL W-16)
- 5) METER SETTER WITH IDLER
- 6) N-16 UTILITY BOX OR APPROVED EQUAL FOR 3/4"
N-30 UTILITY BOX OR APPROVED EQUAL FOR 1"

- 7) METER (PURCHASED THROUGH CITY)
- 8) RECYCLED WATER I.D. TAG
- 9) SCH. 40 PVC THROUGH PIPE EYE
- 10) METER SPUD
- 11) 18" BRASS NIPPLE WITH END CAP
- 12) INSTALL CONCRETE BLOCKING
(4" X 4" X 15 1/2")
UNDER ENTIRE PERIMETER OF BOXES



RICHARD PLECKER
ENVIRONMENTAL UTILITIES DIRECTOR

NOTES:

ALL FITTINGS AND PIPING SHALL BE BRASS BEGINNING AT THE CURB STOP

WATER METERS SHALL BE PURCHASED THROUGH THE CITY
PURCHASE INCLUDES INSTALLATION.

BURIED PIPE AND FITTINGS SHALL BE WRAPPED WITH 8 MIL
POLYETHYLENE OR APPROVED EQUAL.

BOXES SHALL HAVE METAL LIDS AND WILL BE MARKED
"RECYCLED WATER" WITH 2" LETTERS PAINTED PURPLE



ENVIRONMENTAL UTILITIES
DEPARTMENT

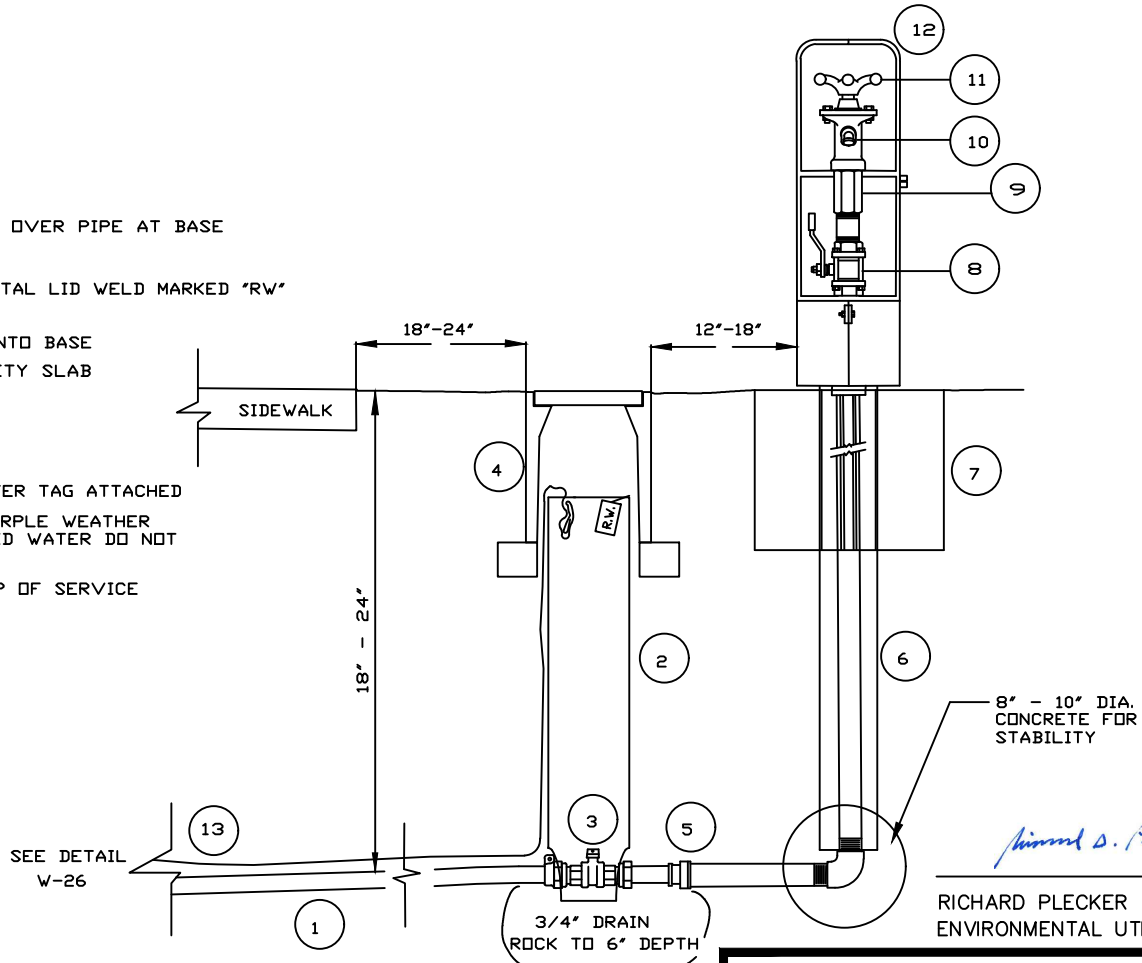
3/4" & 1"
SERVICE LINE

SCALE: NONE
REVISED: JANUARY 2019
DRAWN BY: R. VAN NESS
APPROVED BY: RICHARD PLECKER

RW-6

MATERIALS:

- 1) 3/4" COPPER SERVICE LINE - TYPE K
- 2) 6" DIA. SCHEDULE 40 RISER NOTCHED OVER PIPE AT BASE
- 3) CURB STOP
- 4) CHRISTY G-5 TRAFFIC BOX W/ ALL METAL LID WELD MARKED "RW"
- 5) 3/4" TO 1" REDUCER ALL BRASS
- 6) 4" LIGHT WELL STEEL PIPE BOLTED INTO BASE
- 7) 12" BY 12" BY 12" CONCRETE STABILITY SLAB
- 8) 1" BRASS BALL VALVE
- 9) HYDRANT STYLE BRASS VALVE
- 10) UNTHREADED BRASS NOZZLE
- 11) HANDLE OPERATOR WITH RECYCLED WATER TAG ATTACHED
- 12) ALUMINUM CAST BOX PAINTED WITH PURPLE WEATHER PROOF PAINT. STENCIL MARK "RECYCLED WATER DO NOT DRINK" ON MINIMUM OF (2) SIDES
- 13) LAY RECYCLED WATER ID TAPE ON TOP OF SERVICE



8" - 10" DIA.
CONCRETE FOR
STABILITY

Richard D. Plecker

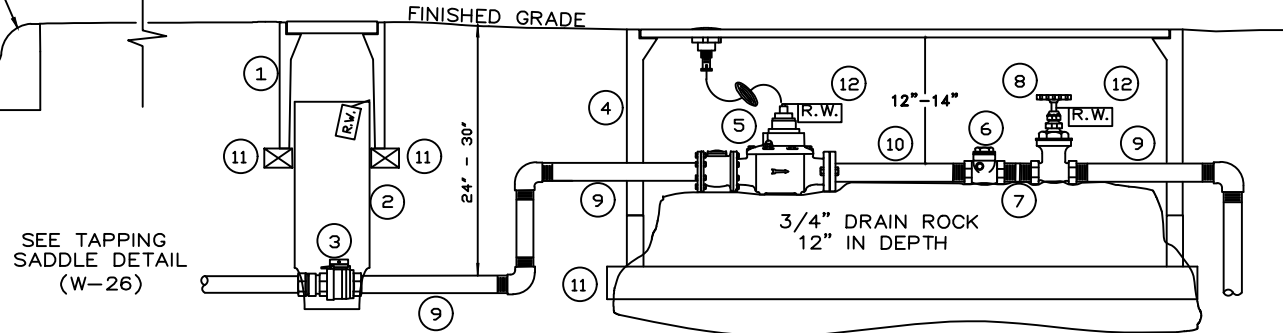
RICHARD PLECKER
ENVIRONMENTAL UTILITIES DIRECTOR

NOTES:

- INSTALL CONCRETE BRICK (3' X 5')
- UNDER ENTIRE PERIMETER OF THE BOX.
- ALL PIPING FROM REDUCER THROUGH
- TEST STATION TO BE 1" BRASS
- ALL FITTINGS TO BE BRASS

	ENVIRONMENTAL UTILITIES DEPARTMENT
	RECYCLED WATER #88-V ECLIPSE SAMPLING STATION FOR WARM CLIMATES
SCALE: NONE REVISED: JANUARY 2019 DRAWN BY: R. VAN NESS APPROVED BY: RICHARD PLECKER	RW-7

CURB STAMPED "RW"
AT SERVICE LOCATION



SEE TAPPING
SADDLE DETAIL
(W-26)

NOTES:

NO WATER SHALL BE DRAWN THROUGH THE BACKFLOW DEVICE UNTIL IT HAS BEEN TESTED BY THE ENVIRONMENTAL UTILITIES DEPT.

CONTRACTOR SHALL LAY 3/4" DRAIN ROCK TO 12" DEPTH UNDER CONCRETE BLOCKING AT METER

WATER METERS SHALL BE PURCHASED THROUGH THE CITY. PURCHASE INCLUDES INSTALLATION.

THERE SHALL BE NO FLOW ALTERING DEVICES 5X THE PIPE DIAMETER UPSTREAM AND DOWNSTREAM OF THE METER.

CURBSTOP SHALL BE BETWEEN 12" & 18" OF EASEMENT.

BURIED PIPE AND FITTINGS SHALL BE WRAPPED WITH 8 MIL POLYETHYLENE OR APPROVED EQUAL.

SINGLE CHECK BACKFLOWS: WATTS CVY (BRONZE), WATTS WCV -2 (BRASS W/RUBBER DISK SEALS) WATTS 806 (316 STAINLESS STL.), MATCO/NORCA MODEL 530 (BRONZE)

BOXES SHALL HAVE METAL LIDS MARKED "RECYCLED WATER" WITH 2" LETTERS, PAINTED PURPLE.

Richard D. Plecker

RICHARD PLECKER
ENVIRONMENTAL UTILITIES DIRECTOR

- | | |
|--|--|
| 1) G-5 VALVE BOX (PER DETAIL W-16) | 7) 3" BRASS NIPPLE |
| 2) 6" CONTINUOUS RISER (NOTCHED OVER PIPE AT BASE) | 8) ALL BRASS GATE VALVE (FIPT X FIPT) |
| 3) CURB STOP COMPRESSION X FIPT | 9) 12" BRASS NIPPLE |
| 4) B-48 UTILITY BOX W/ EXTENSION (MORTAR JOINTS INSIDE & OUT) | 10) 6" BRASS NIPPLE |
| 5) TURBO METER WITH STRAINER (PURCHASED THROUGH CITY). INSTALL IDLER SPOOL DURING INSTALLATION OF METER BOX. | 11) INSTALL CONCRETE BRICK (3" X 5") UNDER ENTIRE PERIMETER OF UTILITY BOXES |
| 6) SINGLE CHECK (SEE NOTES) | 12) RECYCLED WATER ID TAG |

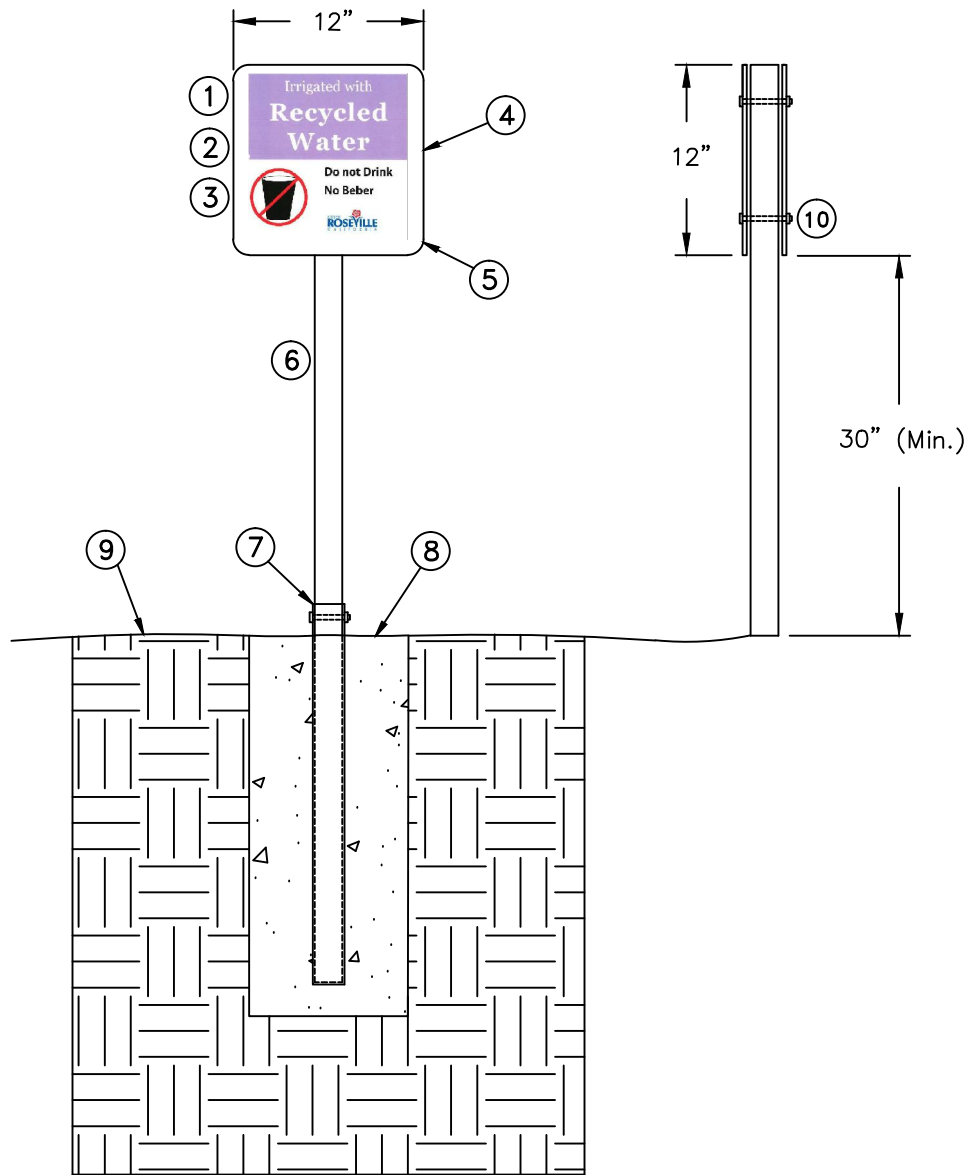


ENVIRONMENTAL UTILITIES
DEPARTMENT

1 1/2" & 2"
RECYCLED WATER SERVICE

SCALE: NONE
REVISED: JANUARY 2020
DRAWN BY: R. VAN NESS
APPROVED BY: RICHARD PLECKER

RW-8



- 1) SIGN: BLANKS TO BE ALUMINUM SHEET ALLOY 0.80 GAUGE CORNERS TO HAVE 1" RADIUS ARC. SIGN TO BE PAINTED AS SHOWN WITH REFLECTIVE WHITE BACK. SIGN TO BE DOUBLE SIDED.
- 2) THE PURPLE AREA AS SHOWN SHALL BE PER THE FOLLOWING: ALL LETTERS WHITE, FONT TYPE GEORGIA, "Irrigated with" SHALL BE 72 PT AND "Recycled Water" SHALL BE 120 PT. BOLD MATCH CASE.
- 3) INTERNATIONAL "DO NOT DRINK" SYMBOL: BLACK CUP 3" IN HT. SYMBOL WITH RED CIRCLE 3 1/2" DIA. AND SLASH.
- 4) THE BLACK LETTERING AS SHOWN SHALL BE PER THE FOLLOWING: ALL LETTERS BLACK, FONT TYPE ARIAL AND 60 PT. BOLD, MATCH CASE.
- 5) CURRENT APPROVED CITY OF ROSEVILLE LOGO PLACED AS SHOWN.
- 6) 1 3/4" SQUARE PERFORATED STEEL POST POWDER COATED WHITE.
- 7) 2" SQUARE GALV. STEEL ANCHOR SLEEVE MIN. 24" DEEP. SET SLEEVE 2" ABOVE FINISH GRADE AND PROVIDE HOLES FOR THE 5/16" HEX HEAD CAP BOLT.
- 8) 10" DIAMETER BY 24" DEEP CONCRETE FOOTING.
- 9) FINISHED GRADE.
- 10) 5/16" GALV. STL. HEX HEAD CAP BOLTS WITH NUTS
- 11) MOUNTING HARDWARE SHALL NOT OBSTRUCT THE VIEW OF ANY LETTERING LOGOS, OR SYMBOLS.
- 12) FINISHED SIGNS MAY BE PURCHASED FROM ENVIRONMENTAL UTILITIES.

Richard D. Plecker

RICHARD PLECKER
ENVIRONMENTAL UTILITIES DIRECTOR



ENVIRONMENTAL UTILITIES
DEPARTMENT

RECYCLED WATER
USE SIGNAGE

SCALE: NONE
REVISED: JANUARY 2016
DRAWN BY: R. VAN NESS
APPROVED BY: RICHARD PLECKER

RW-9